



**FOOD  
AUTONOMY**  
Horticultural lighting

# Flexi-Grow Max

Transformative Lighting  
For Extraordinary  
Harvesting



**A REVOLUTIONARY  
MODULAR  
GREENHOUSE  
TOPLIGHT TAILORED  
TO YOUR NEEDS**

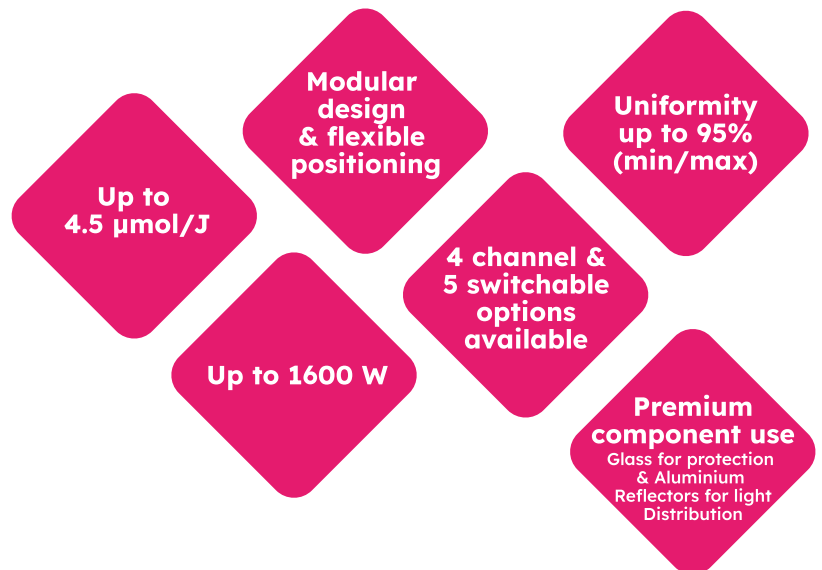
# TRANSFORM, OPTIMIZE, EXCEL: THE POWER OF PRECISION GROWING

Flexi-Grow Max Toplight has been designed to fulfill different needs on the market. Our 600 W single module is the most cost-effective replacement for traditional High Pressure Sodium (HPS) luminaires, whereas our double module provides more than twice as much light as HPS. Therefore, fewer LED grow lights are needed to achieve the required PPFD (photosynthetic photon flux density).

This innovative Toplight model is equipped with special wide beam optics and durable glass lens, avoiding discoloration and enabling easy cleaning. This results in the most uniform light distribution, ensuring your plants receive the perfect illumination they need to thrive. We offer you customized lighting design, and flexible mounting solutions in order to maximize the yield and to make sure your plants grow evenly.

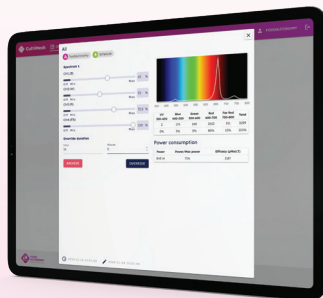
We are flexible in meeting your demands for lighting up your greenhouse.

- **Optimized for investment:**  
to balance energy consumption and light output.
- **Optimized for operational cost:**  
to power the greenhouse with the highest efficiency grow lights.
- **Maximized for light output:**  
to achieve the best quality, yield and nutritional value.



**CULTIMESH**<sup>®</sup>  
Wireless mesh platform

**INTEGRATED WIRELESS  
MULTICHANNEL CONTROL**



**STANDALONE OR CLIMATE  
COMPUTER CONTROL**

- 1 control device = infinite number of fixtures
- Two-way communication
- Grid balancing with aFRR (<1s)

**more feature described on  
[foodautonomy.org](https://foodautonomy.org)**

**REVEAL YOUR GROWING  
POTENTIAL TODAY**

**Contact us for a customized lighting solution**  
[info@foodautonomy.org](mailto:info@foodautonomy.org)

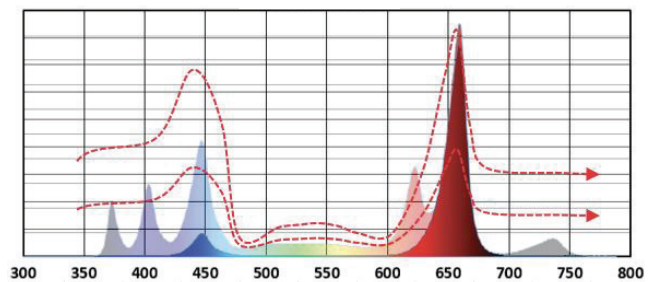
## Key Product Features

- ▶ Modular System - 3 Module Version Available On Request
- ▶ 4-Channel Option With Wireless Dimming
- ▶ Slim Design For Minimal Shading
- ▶ Life Time L90 >50000h (Ta=25°C)
- ▶ Operating Environment: 0°C to +40°C
- ▶ Remote Driver
- ▶ Glass Lens For Sustainable Light Transmission
- ▶ Wide Beam Optics
- ▶ Passive Cooling
- ▶ Flexible Mounting Options For High Uniformity
- ▶ Simple Hanging System For Easy Installation
- ▶ 230/400 VAC Driver, Pf>0.98
- ▶ IP66, IK08 Rated
- ▶ Regulatory Approvals CE, RoHS

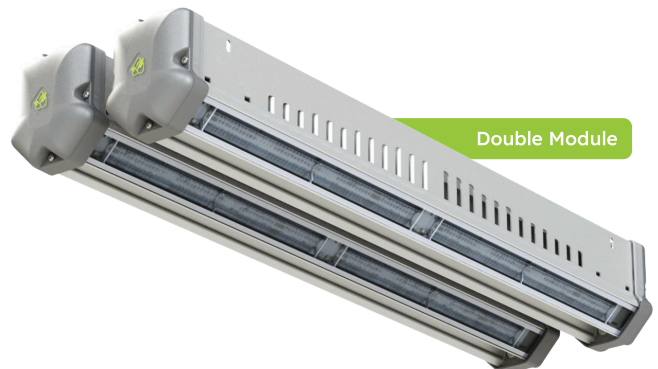
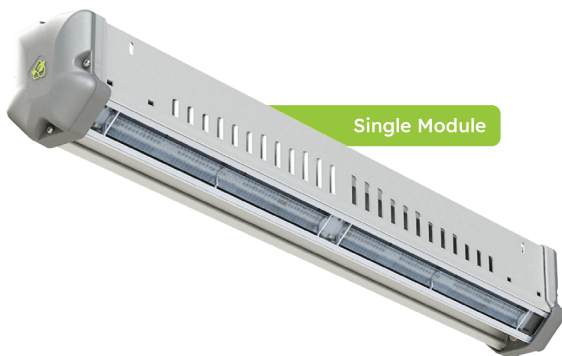
## Customizable Spectrum

Drawing upon years of experience, extensive research, and collaboration with crop advisors, we are ready to assist you in choosing the most suitable spectrum for your crops.

Furthermore, we are able to manufacture 4-channel grow lights as well to provide the most beneficial light intensity and spectrum adapted to the growth phase of your plants.



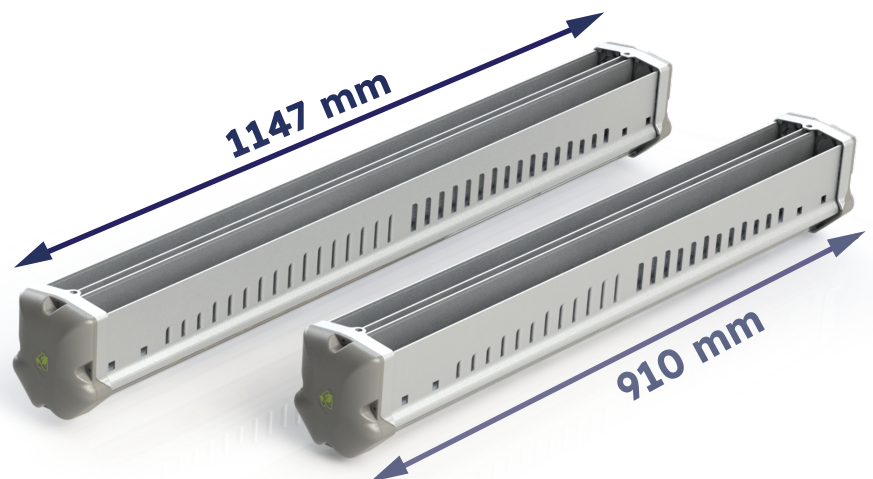
## Modular system



## Available in an extended version as Flexi-Grow Max XL

Higher efficiency

Increased performance





**FOOD  
AUTONOMY**  
Horticultural lighting

## Flexible Mounting Solutions

Various hook or bracket system options available for the installation and connection of this product.

On request individual mounting solutions may also be worked out including customized layout design tailored to the specifications of your greenhouse.

**Ease of  
installation**



**Adaptable  
positioning  
and mounting  
options**



**Connect  
with us!**

**FOR MORE INFORMATION:**  
[foodautonomy.org](http://foodautonomy.org)  
[info@foodautonomy.org](mailto:info@foodautonomy.org)



**Less  
shading**

