

4-channel
wireless control
via climate
computer!

Flexi-Grow Max XL Greenhouse Toplight

Tailored to your needs

Product Information

Flexi-Grow Max XL has been designed to fulfill different needs on the market. Our 1040W single module is the most cost-effective replacement for traditional High Pressure Sodium (HPS) luminaires, whereas our double module provides more than twice as much light as HPS. Therefore, fewer LED grow lights are needed to achieve the required PPFD (photosynthetic photon flux density).

This innovative Toplight model is equipped with special wide beam optics and durable glass lens, avoiding discoloration and enabling easy cleaning. This results in the most uniform light distribution, ensuring your plants receive the perfect illumination they need to thrive. We offer you customized lighting design, and flexible mounting solutions in order to maximize the yield and to make sure your plants grow evenly.

We are flexible in meeting your demands for lighting up your greenhouse.

- **Optimized for investment:**
to balance energy consumption and light output.
- **Optimized for operational cost:**
to power the greenhouse with the highest efficiency grow lights.
- **Maximized for light output:**
to achieve the best quality, yield and nutritional value.

Up to
4.5 $\mu\text{mol}/\text{J}$

4 channel &
5 switchable
options
available

Uniformity
up to 95%
(min/max)

Up to 1600 W

➤ **Integration With
Climate Computer
Or Used Independently**



The offered grow light complemented with our own CultiMesh wireless system will take your greenhouse operations to the next level!

Cultimesh is a super fast wireless system with high reliability, that gives you the opportunity to

- control thousands of grow lights and get feedback from them
- track the robots and workers in the greenhouse
- monitor universal data from the grow lights

and many more features, that are described on
foodautonomy.org



**FOOD
AUTONOMY**
Horticultural lighting

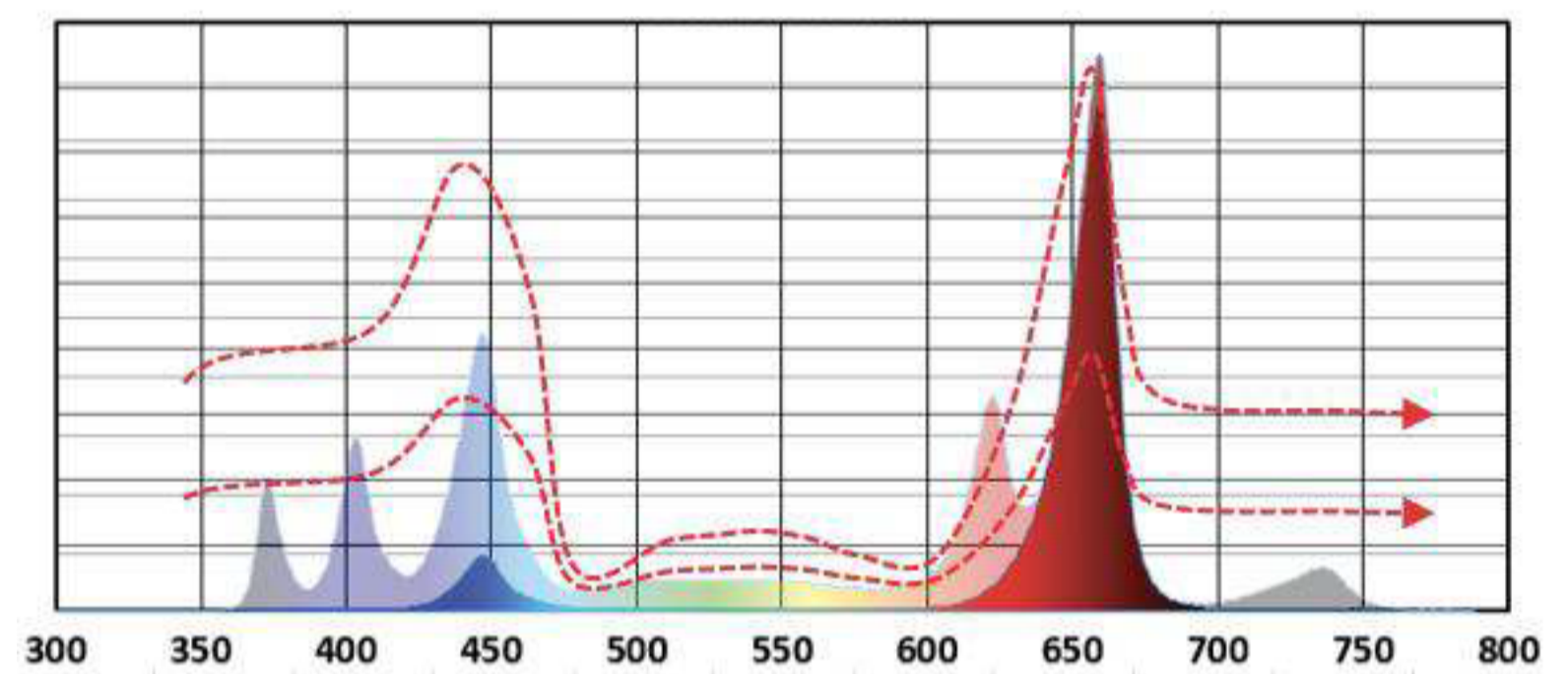
Key Product Features

- ▶ Modular System - 1 And 2 Module Options
- ▶ 4-Channel Option With Wireless Dimming
- ▶ Slim Design For Minimal Shading
- ▶ Life Time L90 50000h (Ta=25°C)
- ▶ Operating Environment: 0°C to +40°C
- ▶ Remote Driver
- ▶ Glass Lens For Sustainable Light Transmission
- ▶ Wide Beam Optics
- ▶ Passive Cooling
- ▶ Flexible Mounting Options (For High Uniformity)
- ▶ Simple Hanging System For Easy Installation
- ▶ 230/400 VAC Driver, Pf>0.98
- ▶ IP66, IK08 Rated
- ▶ Regulatory Approvals CE, RoHS

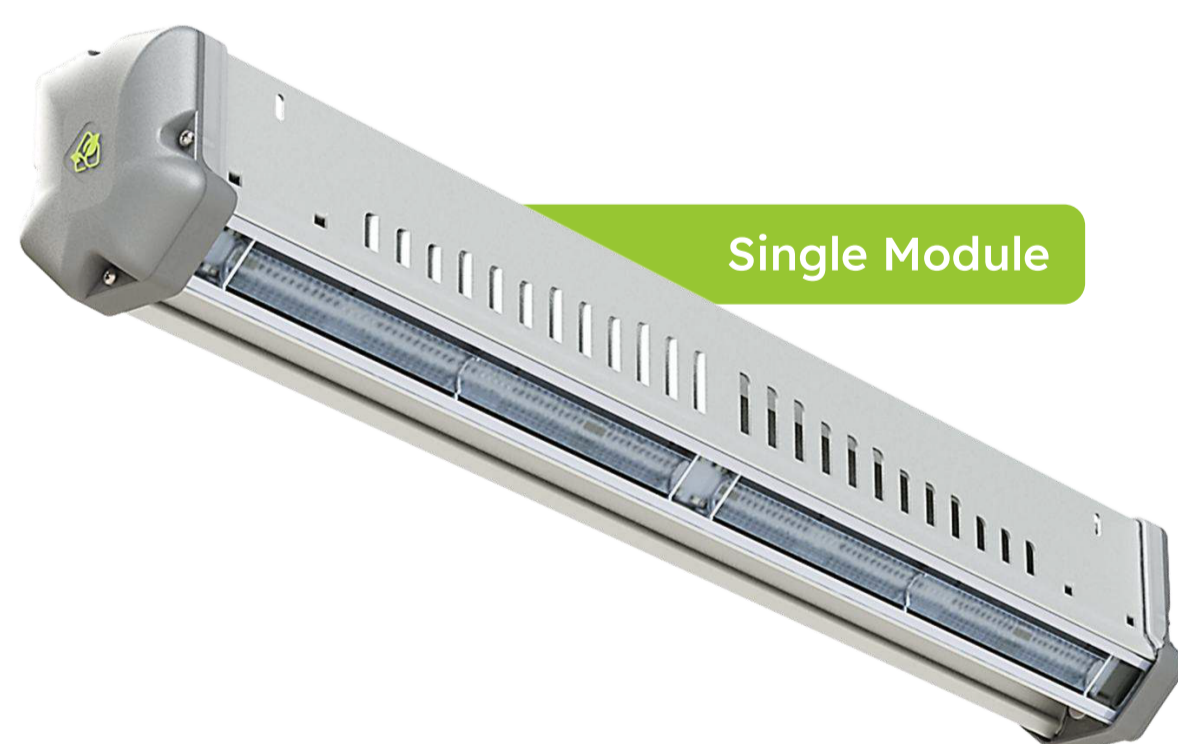
Customizable Spectrum

Drawing upon years of experience, extensive research, and collaboration with crop advisors, we are ready to assist you in choosing the most suitable spectrum for your crops.

Furthermore, we are able to manufacture 4-channel grow lights as well to provide the most beneficial light intensity and spectrum adapted to the growth phase of your plants.



Modular system



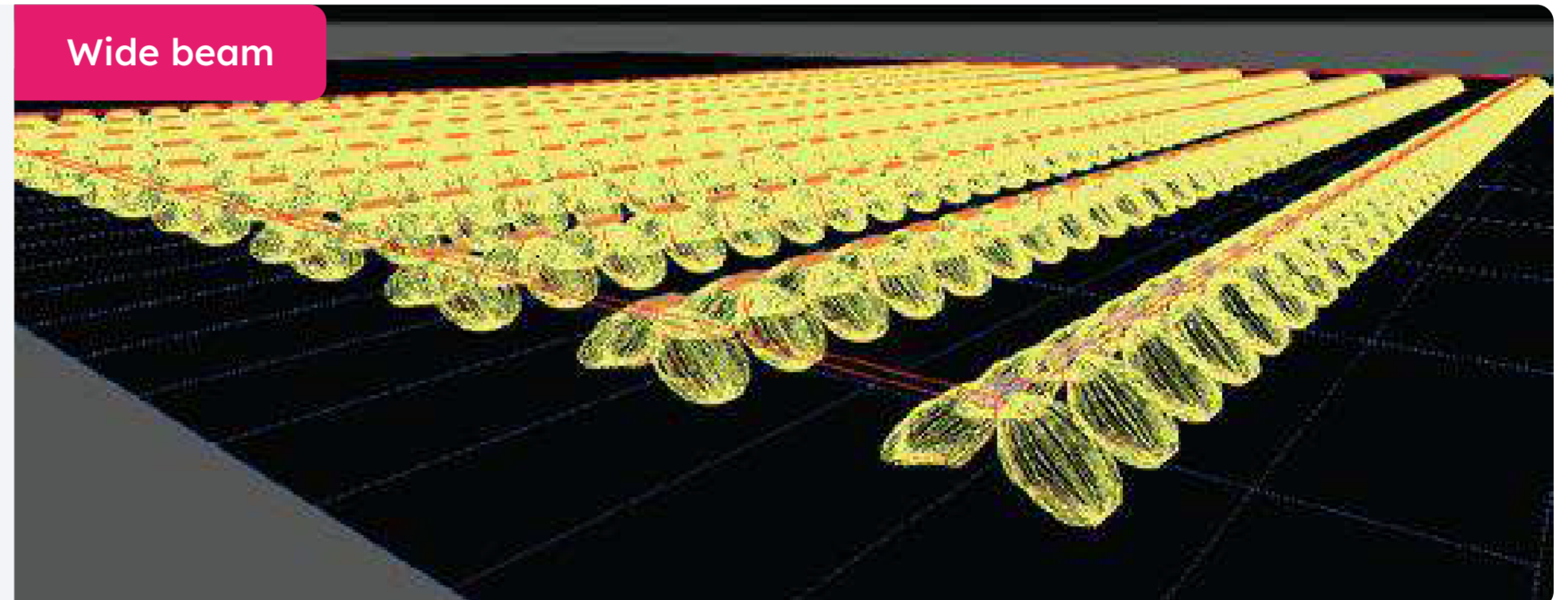
**Fewer fixtures,
lower
investment
cost**



Ideal light distribution

► We offer high light uniformity with

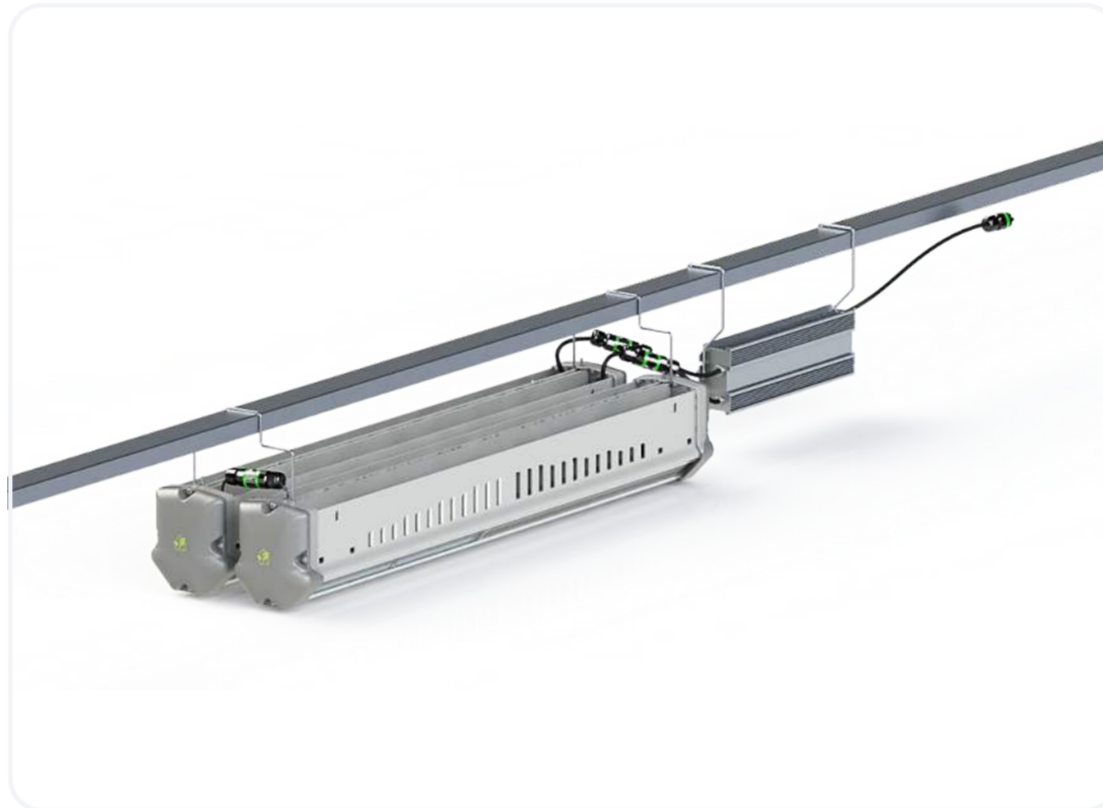
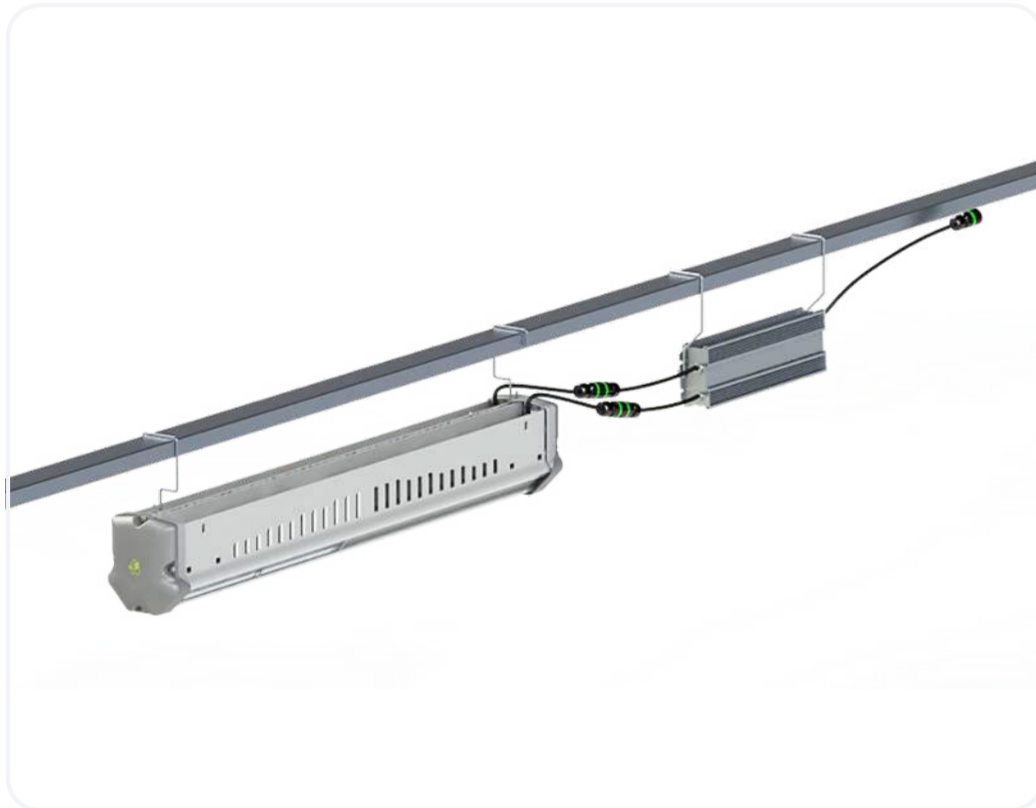
- special wide beam optics
- several modular options
- flexible positioning



Flexible Mounting Solutions

Various hook or bracket system options available for the installation and connection of this product.

On request individual mounting solutions may also be worked out including customized layout design tailored to the specifications of your greenhouse.



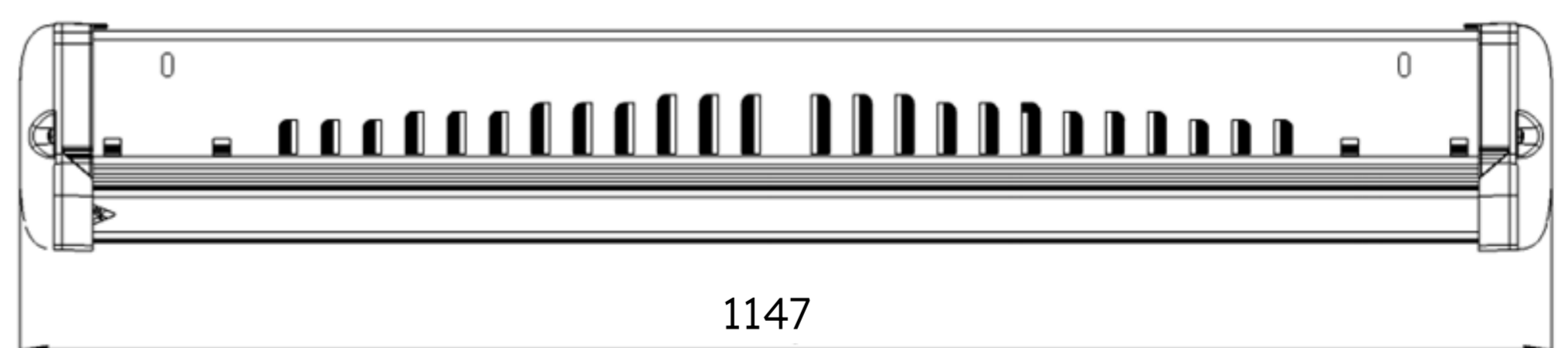
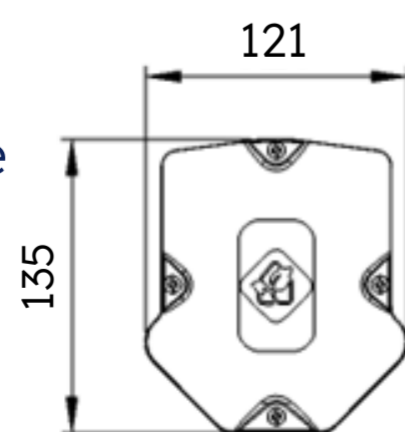
**Ease of
installation**

**Adaptable
positioning
and mounting
options**

**Less
shading**

Dimensions

Weight: ~ 6.7 kg per module
without the driver



At Food Autonomy, we are constantly developing and improving our products. For this reason, all product descriptions in this catalogue are intended as general guide, and we may change specifications from time to time in the interest of product development, without prior notification or public announcement. All descriptions in this publication present only general particulars of the goods to which they refer and shall not form part of any contract. Data in this guide has been obtained in controlled experimental conditions. However, Food Autonomy cannot accept any liability arising from the reliance on such data to the extent permitted by law.