



Flexi-Grow Max Greenhouse Toplight

Tailored to your needs

4-channel
wireless control
via climate
computer!



Product Information

Flexi-Grow Toplight has been designed to fulfill different needs on the market. Our 600W single module is the most cost-effective replacement for traditional High Pressure Sodium (HPS) luminaires, whereas our double module provides more than twice as much light as HPS. Therefore, fewer LED grow lights are needed to achieve the required PPFD (photosynthetic photon flux density).

This innovative Toplight model is equipped with special wide beam optics and durable glass lens, avoiding discoloration and enabling easy cleaning. This results in the most uniform light distribution, ensuring your plants receive the perfect illumination they need to thrive. We offer you customized lighting design, and flexible mounting solutions in order to maximize the yield and to make sure your plants grow evenly.

We are flexible in meeting your demands for lighting up your greenhouse.

- **Optimized for investment:**
to balance energy consumption and light output.
- **Optimized for operational cost:**
to power the greenhouse with the highest efficiency grow lights.
- **Maximized for light output:**
to achieve the best quality, yield and nutritional value.

3.8
 $\mu\text{mol}/\text{J}$

Modular
design
& flexible
positioning

Up to 1200W

Customizable
spectrum



CULTIMESH

Wireless mesh platform

Integration With
Climate Computer
Or Used Independently



The offered grow light complemented with our own CultiMesh wireless system will take your greenhouse operations to the next level!

Cultimesh is a super fast wireless system with high reliability, that gives you the opportunity to

- control thousands of grow lights and get feedback from them
- track the robots and workers in the greenhouse
- monitor universal data from the grow lights

and many more features, that are described on
foodautonomy.org

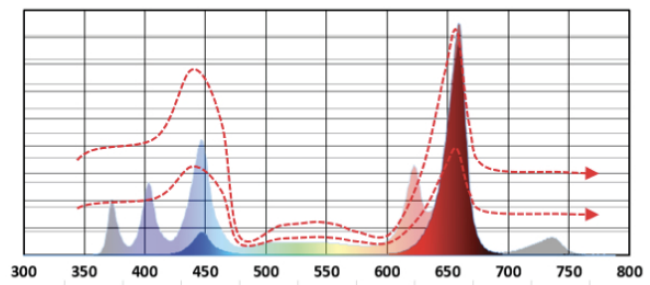
Key Product Features

- Modular System - 1 And 2 Module Options
- 4-Channel Option With Wireless Dimming
- Slim Design For Minimal Shading
- Life Time L90 50000h (Ta=25°C)
- Operating Environment: 0°C to +40°C
- Remote Driver
- Glass Lens For Sustainable Light Transmission
- Wide Beam Optics
- Passive Cooling
- Flexible Mounting Options (For High Uniformity)
- Simple Hanging System For Easy Installation
- 230/400 VAC Driver, Pf>0.98
- IP66, IK08 Rated
- Regulatory Approvals CE, RoHS

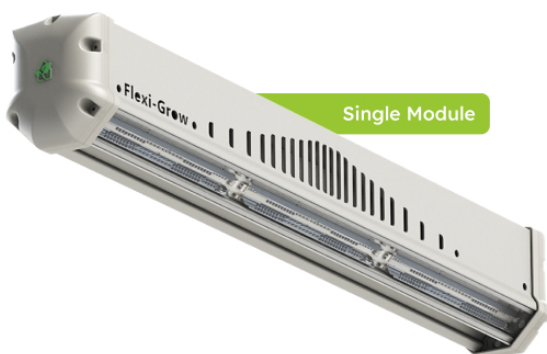
Customizable Spectrum

Drawing upon years of experience, extensive research, and collaboration with crop advisors, we are ready to assist you in choosing the most suitable spectrum for your crops.

Furthermore, we are able to manufacture 4-channel grow lights as well to provide the most beneficial light intensity and spectrum adapted to the growth phase of your plants.



Modular system



Single Module



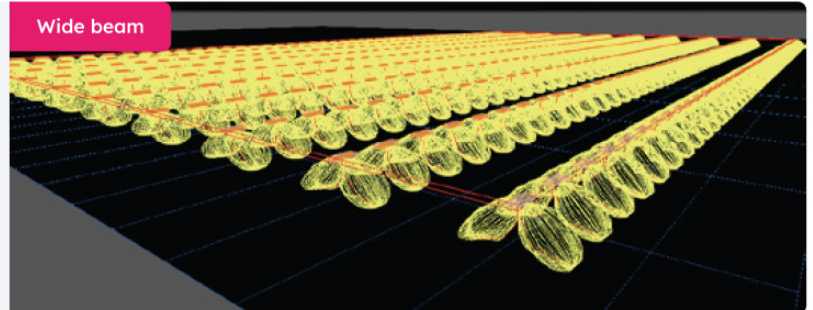
Double Module

**Fewer fixtures,
lower
investment
cost**

Ideal light distribution

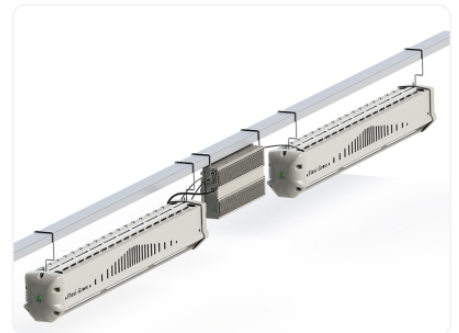
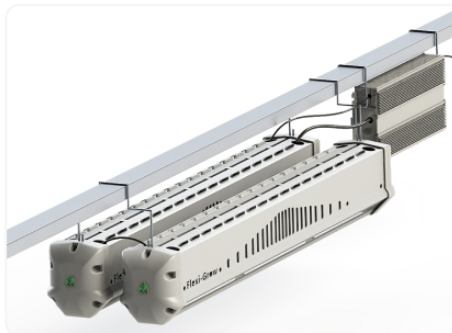
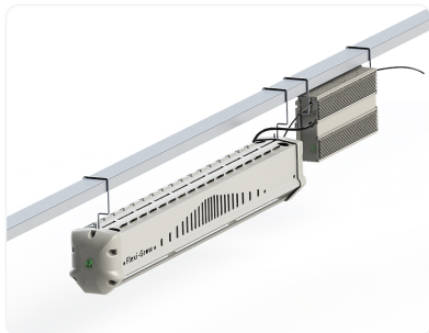
► **We offer high light uniformity with**

- special wide beam optics
- several modular options
- flexible positioning



Flexible Mounting Solutions

Various hook or bracket system options available for the installation and connection of this product. On request individual mounting solutions may also be worked out including customized layout design tailored to the specifications of your greenhouse.



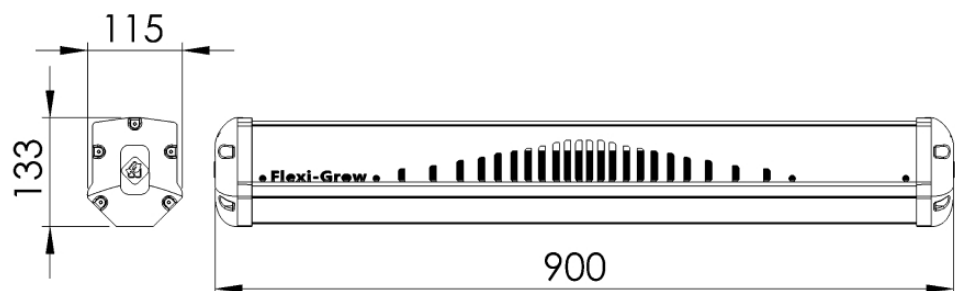
**Ease of
installation**

**Adaptable
positioning
and mounting
options**

**Less
shading**

Dimensions

Weight: ~ 5.5 kg per module
without the driver



Product Specifications for our different product types

Flexi-Grow Max gives the opportunity of up to 4 controllable channels, which provides further flexibility in spectral distribution, e.g. the amount of blue or far red could be adjusted based on the needs or growth phase of the plant. This means that the given data is set as an example; spectrum, power, light intensity and efficacy are completely customizable. Therefore beyond the below range, the actual number of product varieties is infinite.

Investment Optimized							
Product ID	Module	Spectrum*	Nominal Power (W)	PPF (Umol/S)	Efficacy (Umol/J)	Efficacy When Dimmed To 50%	Control
FA GLIN3 1H	Single	HRLB	543	1745	3.2	3.5	FX (fix) or BF4 (wireless dimmable with multichannel option)
		HRLBW	552	1763	3.2	3.5	
FA GLIN3 2H	Double	HRLB	1086	3490	3.2	3.5	
		HRLBW	1104	3526	3.2	3.5	

Maximized Energy Saving							
Product ID	Module	Spectrum*	Nominal Power (W)	PPF (Umol/S)	Efficacy (Umol/J)	Efficacy When Dimmed To 50%	Control
FA GLIN3 1H	Single	HRLB	473	1798	3.8	4.2	FX (fix) or BF4 (wireless dimmable with multichannel option)
		HRLBW	481	1746	3.6	4.0	
FA GLIN3 2H	Double	HRLB	946	3596	3.8	4.2	
		HRLBW	962	3492	3.6	4.0	

Increased Crop Yield (High Output)							
Product ID	Module	Spectrum*	Nominal Power (W)	PPF (Umol/S)	Efficacy (Umol/J)	Efficacy When Dimmed To 50%	Control
FA GLIN3 1H	Single	HRLB	605	2050	3.4	3.7	FX (fix) or BF4 (wireless dimmable with multichannel option)
		HRLBW	600	2100	3.5	3.9	
FA GLIN3 2H	Double	HRLB	1210	4100	3.4	3.7	
		HRLBW	1210	4100	3.4	3.7	

*HR= High Red, LB=Low Blue, W=White, FR= FarRed

At Food Autonomy, we are constantly developing and improving our products. For this reason, all product descriptions in this catalogue are intended as a general guide, and we may change specifications from time to time in the interest of product development, without prior notification or public announcement. All descriptions in this publication present only general particulars of the goods to which they refer and shall not form part of any contract. Data in this guide has been obtained in controlled experimental conditions. However, Food Autonomy cannot accept any liability arising from the reliance on such data to the extent permitted by law.